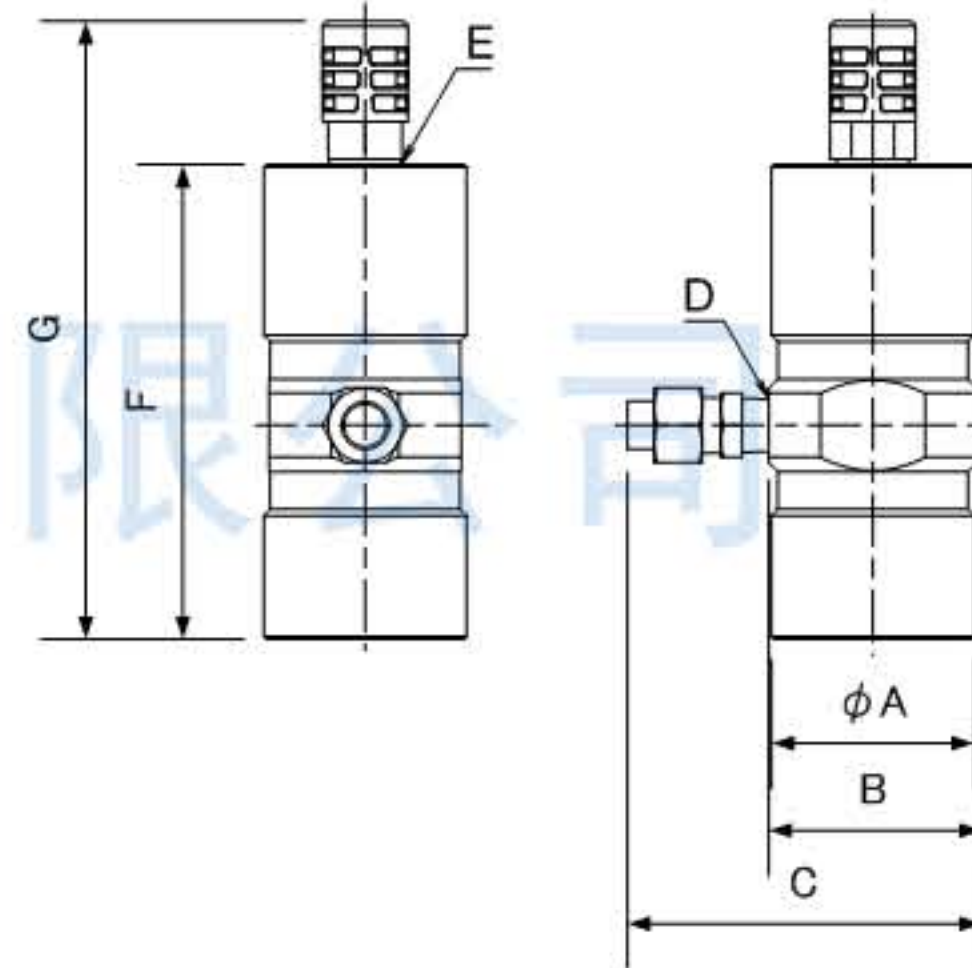
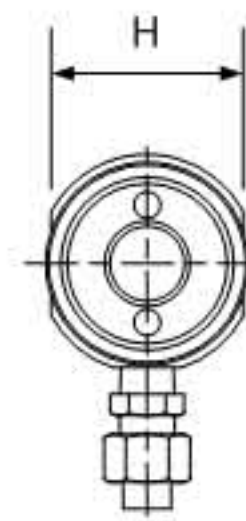




dimensional drawing



Low noise, low air consumption, multi-purpose pneumatic vibrator

Model	Code Number
EPV12	000991000
EPV18	000808000
EPV35	000809000
EPV18L	000873000
EPV35L	000874000



Feature Specification Size / Installation

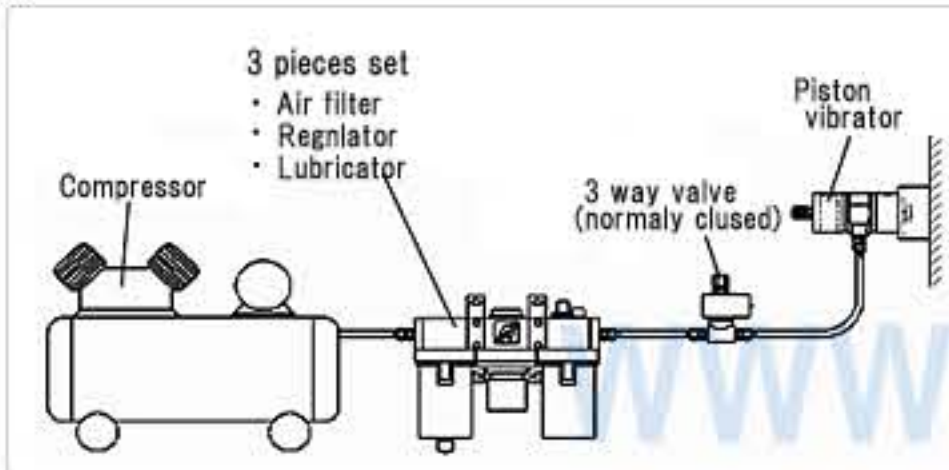
Piston vibrator EPV series is the pneumatic vibrator of the single direction vibration structure which produces the stable vibration. This can use as blockade prevention equipment of hopper, tank, piping chute, and power sources for filling of bulk material and small vibration feeder.

Excellent durability (Wear resistance)

Because wear-and-abrasion-resistance processing of the original technique of EXEN made to the piston portion, the durability of this piston vibrator excels competitive products.

Oil free structure extend its application

This has equipped the exhaust port with filter, and does not have a bad influence to the work shop and handling product, either, in order to operate with air with little oil mist. Thereby, it can use broadly in the general-industrial-machinery field, food and the chemistry industry, etc. Notes: Long-time use with complete dry air causes failure.

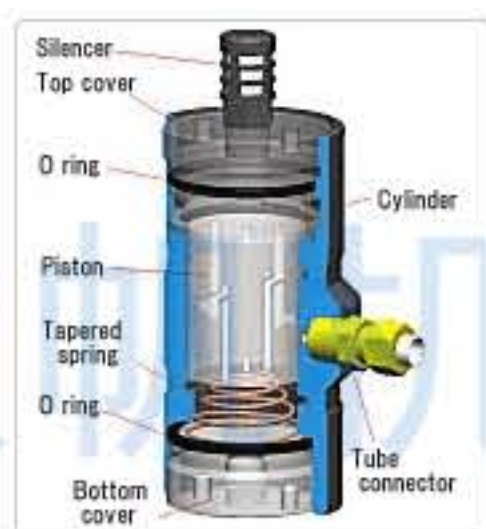


Internal silencer system reduces noise

The low noise of around 62-65 db of exhaust noise, air consumption 9 - 145 L/min (ANR) are environment-friendly designs. It leads to cost saving of the maintenance by energy saving, and an improvement of the working environment in a factory.

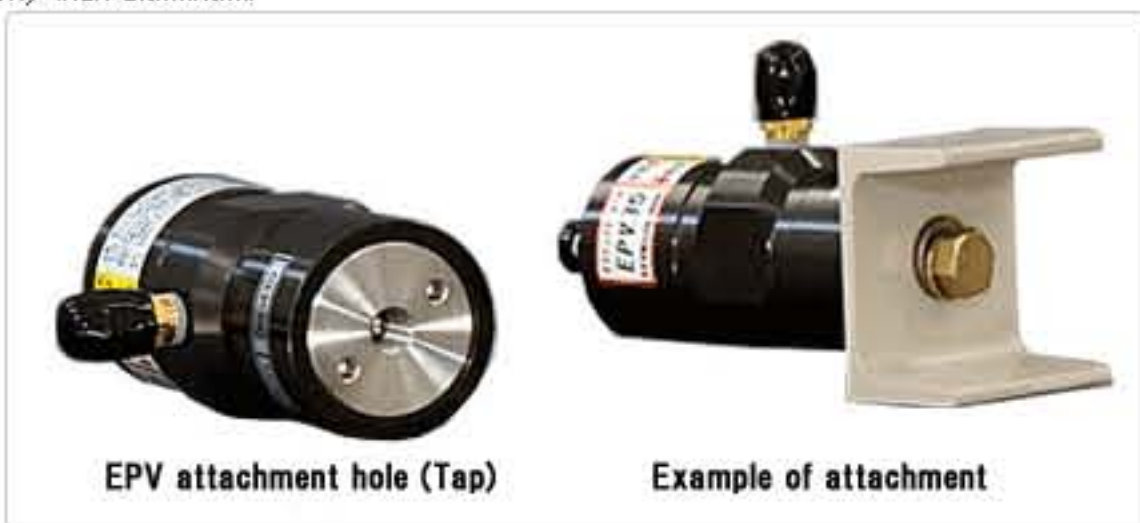
Safety anti-explosion specification

In order that compressor air is the direct source of power, this also has little fear of ignition like electric type, and prevents permeation of particulate in the cylinder part by its sealing mechanism. Accordingly, it can be used also in the place by which the danger of dust explosion is accompanied.



Simple installation

This can be attached with one bolt. This can be attached in hopper, tank, chute, etc. in every 360 degrees direction with mounting stay. The bottom where attaches the bolt is the stainless steel structure that has higher intensity than aluminum.



Applicable for vibration transportation and vibration filling machine

This vibrator can apply its vibration principle of piston action, and can use as a source of vibration for vibrating feeder, and table vibrator for filling and/or diffusion.

Stepless adjustment of the vibration power can be made by air pressure adjustment

Adjustment of frequency and power are possible. This can adjust frequency and power only by air pressure. The merit with controllable power is being able to use the same model, even where the conditions of the facilities installed are different. Short type generates low amplitude and high vibration, and long type generates high amplitude and low vibration. Many those vibrations are used to vibration transport and/or table vibrator for fillings.

It can be used in moisture site

Because this equipment has an exhaust port, it is not full waterproofing, but the main part except the exhaust muffler part is waterproofing structure. If the filter part of the exhaust is extended and the filter is installed downward, this can be used in the environment using water.



Applicable for vibration transportation and/or vibration filling

This can be used as power source of vibrating feeder and table vibrator for filling and/or diffusion, applying its vibration principle of piston action

The instant interruption function is effective in weighing apparatus

Piston vibrator has the function interrupted in an instant, when supplying power is turned OFF. The instant interruption function is effective in weighing apparatus. * This avoids the resonance wrong action at the time of a interruption.

dimensional chart (mm)

Model	ΦA	B	C	D	E	F	G	H
EPV12	33	33	(58.4)	1/8		86	(113)	30
EPV18	38	40	(65.4)	1/8		89	(116)	36
EPV18L					1/4	126	(153)	
EPV35	56	60.5	(86.5)	1/4		111.5	(138)	55
EPV35L						157.5	(184)	

dimensional chart (inch)

Model	ΦA	B	C	D	E	F	G	H
EPV12	1.3	1.3	(2.3)	1/8		3.4	(4.4)	1.2
EPV18	1.5	1.6	(2.6)	1/8		3.5	(4.6)	1.4
EPV18L					1/4	5.0	(6.0)	
EPV35	2.2	2.4	(3.4)	1/4		4.4	(5.4)	2.2
EPV35L						6.2	(7.2)	

Piston vibrator specification (mm)

Model	Working pressure (MPa)	Frequency (Hz)	Centrifugal force (N)	Air consumption (L/min(ANR))
EPV12	0.2~0.6	105~166	30~80	9~45
EPV18		102~149	66~186	17~62
EPV18L		58~93	82~265	15~54
EPV35		78~117	304~779	45~145
EPV35L		51~73	347~921	44~125

Model	Total length (mm)	Vibration area (mm)	Bolt size (mm)	Weight (kg)
EPV12	113	Φ33	M8×10	0.23
EPV18	116	Φ38	M10×11	0.34
EPV18L	153			0.48
EPV35	138			1.09
EPV35L	184	Φ56	M12×12	1.48

* An EPV type specification is a result on the measurement condition equipped with a muffler of us.
* Oil - means the thing of the general miscellaneous business air which hardly contains oil.

Piston vibrator specification (inch)

Model	Working pressure (Psi)	Frequency (Hz)	Centrifugal force (lb.)	Air consumption (gal/min(ANR))
EPV12	29.01~87.02	105~166	7~18	2.4~11.9
EPV18		102~149	15~42	4.5~16.4
EPV18L		58~93	18~60	4.0~14.3
EPV35		78~117	68~175	11.9~38.3
EPV35L		51~73	78~207	11.6~33.0

Model	Total length (in)	Vibration area (in)	Bolt size (in)	Weight (lb)
EPV12	4.45	Φ1.30	5/16×0.39	0.51
EPV18	4.57			0.75
EPV18L	6.02	Φ1.50	3/8×0.43	1.06
EPV35	5.43			2.27
EPV35L	7.24	Φ2.21	1/2×0.47	3.26

* An EPV type specification is a result on the measurement condition equipped with a muffler of us.
* Oil - means the thing of the general miscellaneous business air which hardly contains oil.